



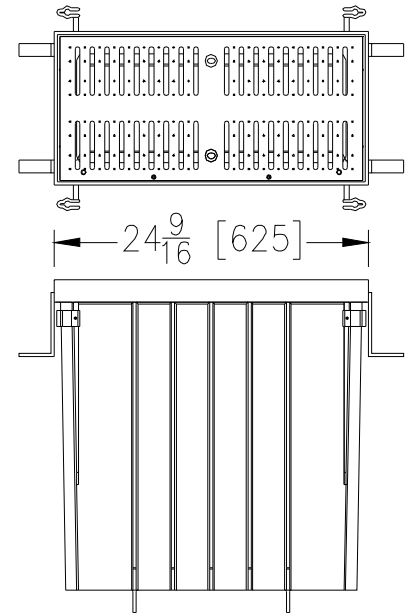
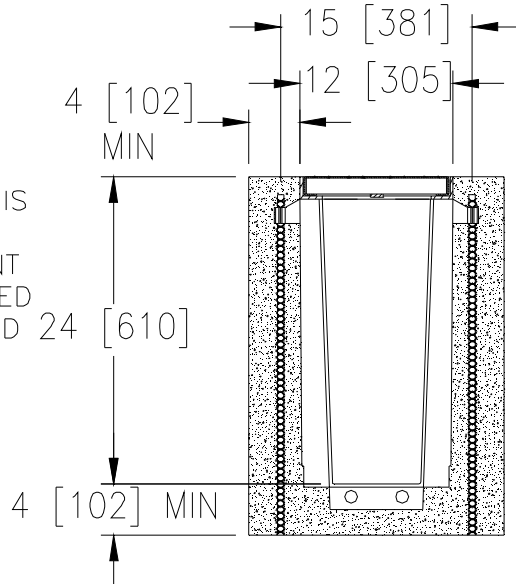
# Z887-12-HDS

12 [305] WIDE REVEAL x 24-9/16 [624] LONG CATCH BASIN  
W/ HEAVY-DUTY STAINLESS STEEL FRAME ASSEMBLY

TAG \_\_\_\_\_

Dimensional Data (inches and [ mm ]) are Subject to Manufacturing Tolerances and Change Without Notice

SPECIFYING ENGINEER IS RESPONSIBLE FOR CONCRETE ENCASEMENT AND REINFORCING BASED UPON APPLICATION AND 24 LOCAL CODES



NOTE: + Actual Channel length is 24-9/16 [625].

**ENGINEERING SPECIFICATION:** Zurn Z887-12-HDS Catch Basin shall be 12 [305] long reveal x 24-9/16 [624] long and 24 [610] deep. Catch basin shall be made of 0% water absorbent High Density Polyethylene (HDPE). Shall mechanically lock into the concrete surround every 10 [254]. Basin shall weigh less than 14.6 lbs.[6.6 kg]. Catch basin shall have rebar clips standard to secure basin in its final location. Channels shall have all grates locked down. Shall be provided with the standard RFS grates that lock down to the frame. Zurn 12 [305] wide reveal Stainless Steel Reinforced Slotted Grate conforming to ASTM specification A351, Grade CF8 (type 304), Fabricated grate is rated class B per the DIN EN1433 top load classification. Supplied in 24 [608] nominal lengths with 3/8 [10] wide slots, 1-1/2 [38] bearing depth. Grate has an open area of 25.61 sq. in. per ft [54207 sq. mm per meter]. Tie down recesses provided for securing option. The 1/4 [6] thick Stainless Steel Frame Assembly conforms to ASTM specification A-240 (type 304), with 10 - 4 [102] long concrete anchors per 96 [2438]. Grate lockdown bars are integral to the frame. All welds must be performed by a certified welder per ASTM standard AWS D1.6. Frames Shall be produced in the USA.

**PREFIX OPTIONS (Check/specify appropriate options)**  
\_\_\_ Z Six-foot, Eight-inch High Density Polyethylene (HDPE)\*

**SUFFIX OPTIONS (Check/specify appropriate options)**

**Outlet Adapters Add/Each**

- \_\_\_ -E3 3 [76] No-Hub End Outlet
- \_\_\_ -E4 4 [102] No-Hub End Outlet
- \_\_\_ -E6 6 [152] No-Hub End Outlet
- \_\_\_ -U4 4 [102] No-Hub Bottom Outlet
- \_\_\_ -U6 6 [152] No-Hub Bottom Outlet

**Grate Options (Load Classifications are per DIN EN1433)**

- \_\_\_ -BDC Black Acid Resistant Epoxy Coated Ductile Grate - Class C
- \_\_\_ -BDE Black Acid Resistant Epoxy Coated Ductile Grate - Class E
- \_\_\_ -DC Ductile Iron Solid Cover - Class C
- \_\_\_ -DGC Ductile Iron Slotted Grate - Class C
- \_\_\_ -DGE Ductile Iron Slotted Grate - Class E
- \_\_\_ -DGF Ductile Iron Slotted Grate - Class F
- \_\_\_ -HPD Heel-Proof Ductile Slotted Grate - Class C
- \_\_\_ -HPDE Heel-Proof Ductile Slotted Grate - Class E
- \_\_\_ -RFSC Reinforced Slotted Stainless Steel Grate - Class C
- \_\_\_ -RPSC Reinforced Perforated Stainless Steel Grate - Class C
- \_\_\_ -RPSRC Reinforced Perforated Stainless Steel Reversed Punch Grate - Class

**Miscellaneous Options**

- \_\_\_ -EXT 12 [305] Body Extension
- \_\_\_ -VP Vandal-Proof Lockdown

**MADE in the U.S.A. (Load Classifications are per DIN EN1433)**

- \_\_\_ -ADA-USA Meets Americans with Disabilities Act Requirements - Class C
- \_\_\_ -DGC-USA Ductile Iron Slotted Grate - Class C
- \_\_\_ -DGE-USA Ductile Iron Slotted Grate - Class E
- \_\_\_ -FS Fabricated Stainless Steel Slotted Grate - Class A
- \_\_\_ -HPDE-USA Heel-Proof Ductile Slotted Grate - Class E
- \_\_\_ -PS Perforated Stainless Steel Grate - Class A
- \_\_\_ -RFS Reinforced Stainless Steel Slotted Grate - Class B \*
- \_\_\_ -RPS Reinforced Perforated Stainless Steel Grate - Class B
- \_\_\_ -SBG-L Stainless Steel Bar Grate - Class C

**MADE in the U.S.A. (Load Classifications are per DIN EN1433)**

- Miscellaneous Options**
- \_\_\_ -DB Bottom Dome Strainer
  - \_\_\_ -IA Inlet Adapter -Z886
  - \_\_\_ -IA Inlet Adapter - Z882
  - \_\_\_ -Y Sediment Bucket

REV. C DATE: 5/8/12 C.N. NO. 302167

PROD/DWG. NO. Z887-12-HDS

\*REGULARLY FURNISHED UNLESS OTHERWISE SPECIFIED